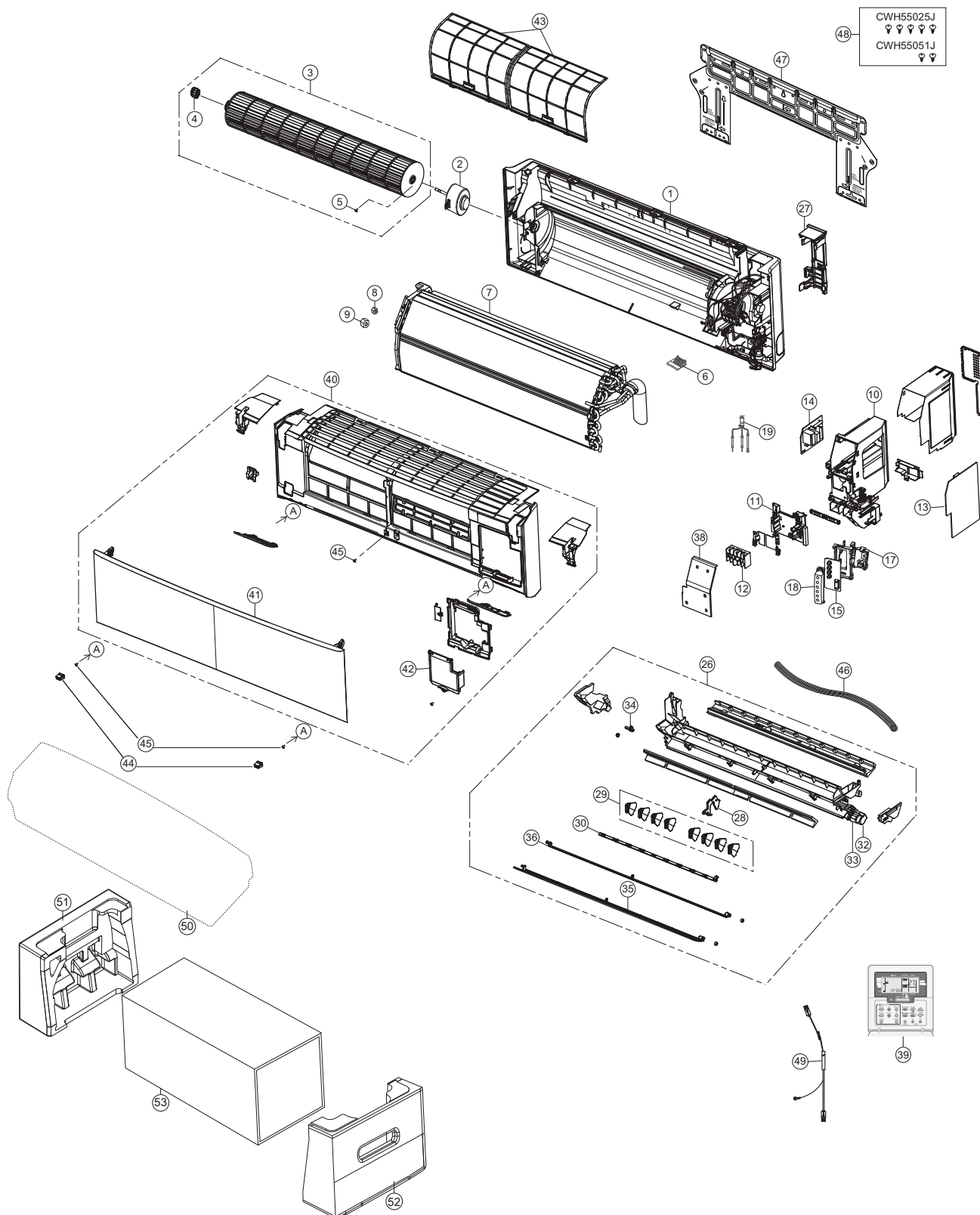


21. Exploded View and Replacement Parts List

21.1 Indoor Unit

21.1.1 CS-Z25TKEA CS-Z35TKEA



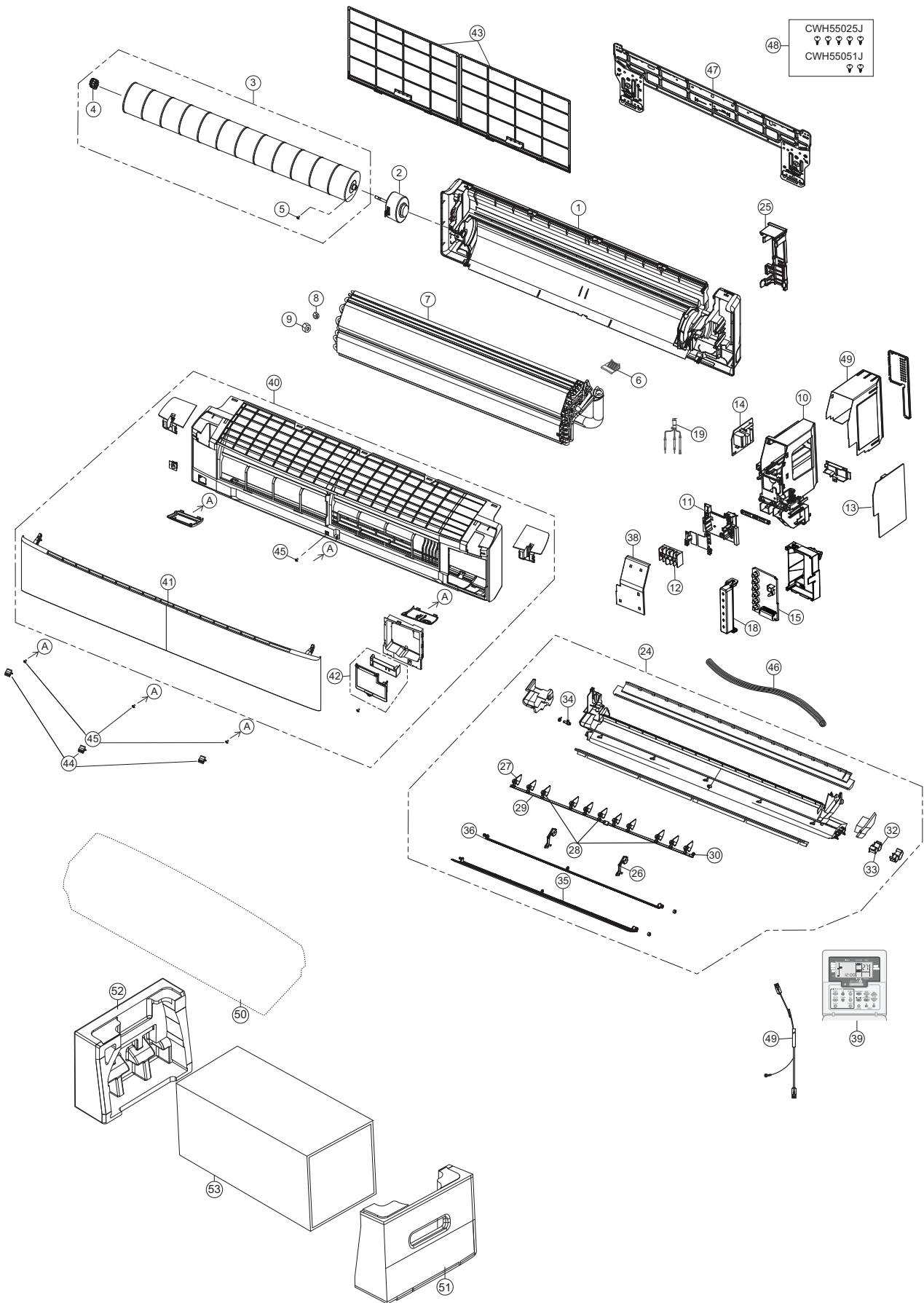
Note
The above exploded view is for the purpose of parts disassembly and replacement.
The non-numbered parts are not kept as standard service parts.

SAFETY	REF. NO.	PART NAME & DESCRIPTION	QTY.	CS-Z25TKEA	CS-Z35TKEA	REMARK
	1	CHASSIS COMPLETE	1	ACXD50C00200	←	
⚠	2	FAN MOTOR	1	L6CBYYL0175	←	O
	3	CROSS-FLOW FAN COMPLETE	1	CWH02C1076	←	
	4	BEARING ASSY	1	CWH64K1006	←	
	5	SCREW - CROSS-FLOW FAN	1	CWH551146	←	
	6	PARTICULAR PIECE	1	CWD933067B	←	
	7	EVAPORATOR	1	CWB30C4659	ACXB30C00920	
	8	FLARE NUT (LIQUID)	1	CWT251048	←	
	9	FLARE NUT (GAS)	1	CWT251049	←	
	10	CONTROL BOARD CASING	1	ACXH10-00200	←	
	11	PARTICULAR PIECE	1	CWD933138	←	
⚠	12	TERMINAL BOARD COMPLETE	1	CWA28C2382	←	O
⚠	13	ELECTRONIC CONTROLLER - MAIN	1	ACXA73C40870	ACXA73C40880	O
⚠	14	ELECTRONIC CONTROLLER - SUB	1	ACXA73-22640	←	O
⚠	15	ELECTRONIC CONTROLLER - INDICATOR	1	ACXA73-08140	←	O
	17	HOLDER - RECEIVER	1	ACXD93-00700	←	
	18	INDICATOR HOLDER	1	ACXD93-00930	←	
	19	SENSOR COMPLETE	1	CWA50C2664	←	O
	26	DISCHARGE GRILLE COMPLETE	1	ACXE20C00540	←	
	27	BACK COVER CHASSIS	1	CWD933233C	←	
	28	FULCRUM	1	ACXH62-00040	←	
	29	VERTICAL VANE	8	CWE241457	←	
	30	CONNECTING BAR	2	CWE261320	←	
⚠	32	AIR SWING MOTOR - OUTER VANE	1	CWA981241	←	O
⚠	33	AIR SWING MOTOR - INNER VANE	1	CWA981299	←	O
	34	CAP - DRAIN TRAY	1	CWH521259	←	
	35	HORIZONTAL VANE COMPLETE - OUTER	1	ACXE24C00240	←	
	36	HORIZONTAL VANE COMPLETE - INNER	1	CWE24C1531	←	
	38	CONTROL BOARD COVER - COMPLETE	1	ACXH13C00150	←	
	39	REMOTE CONTROL COMPLETE	1	CWA75C4264	←	O
	40	FRONT GRILLE COMPLETE	1	ACXE10C06760	ACXE10C06770	O
	41	INTAKE GRILLE COMPLETE	1	ACXE22K00090	←	
	42	GRILLE DOOR COMPLETE	1	CWE14C1090	←	
	43	AIR FILTER	2	CWD001279	←	
	44	CAP - FRONT GRILLE	2	ACXH52-00020	←	
	45	SCREW - FRONT GRILLE	4	XTT4+16CFJ	←	
	46	DRAIN HOSE	1	ACXH85-00210	←	
	47	INSTALLATION PLATE	1	CWH361147	←	
	48	BAG COMPLETE - INSTALLATION SCREW	1	CWH82C1942	←	
	49	REMOTE CONTROL - CABEL	1	CWA221113	←	
	50	BAG	1	CWG861497	←	
	51	SHOCK ABSORBER - LEFT	1	ACXG70-00380	←	
	52	SHOCK ABSORBER - RIGHT	1	ACXG70-00390	←	
	53	C. C. CASE	1	ACXG50-39080	ACXG50-39090	

(NOTE)

- All parts are supplied from PAPAMY, Malaysia (Vendor Code: 00029488).
- "O" marked parts are recommended to be kept in stock.

21.1.2 CS-Z42TKEA CS-Z50TKEA CS-Z71TKEA



Note
 The above exploded view is for the purpose of parts disassembly and replacement.
 The non-numbered parts are not kept as standard service parts.

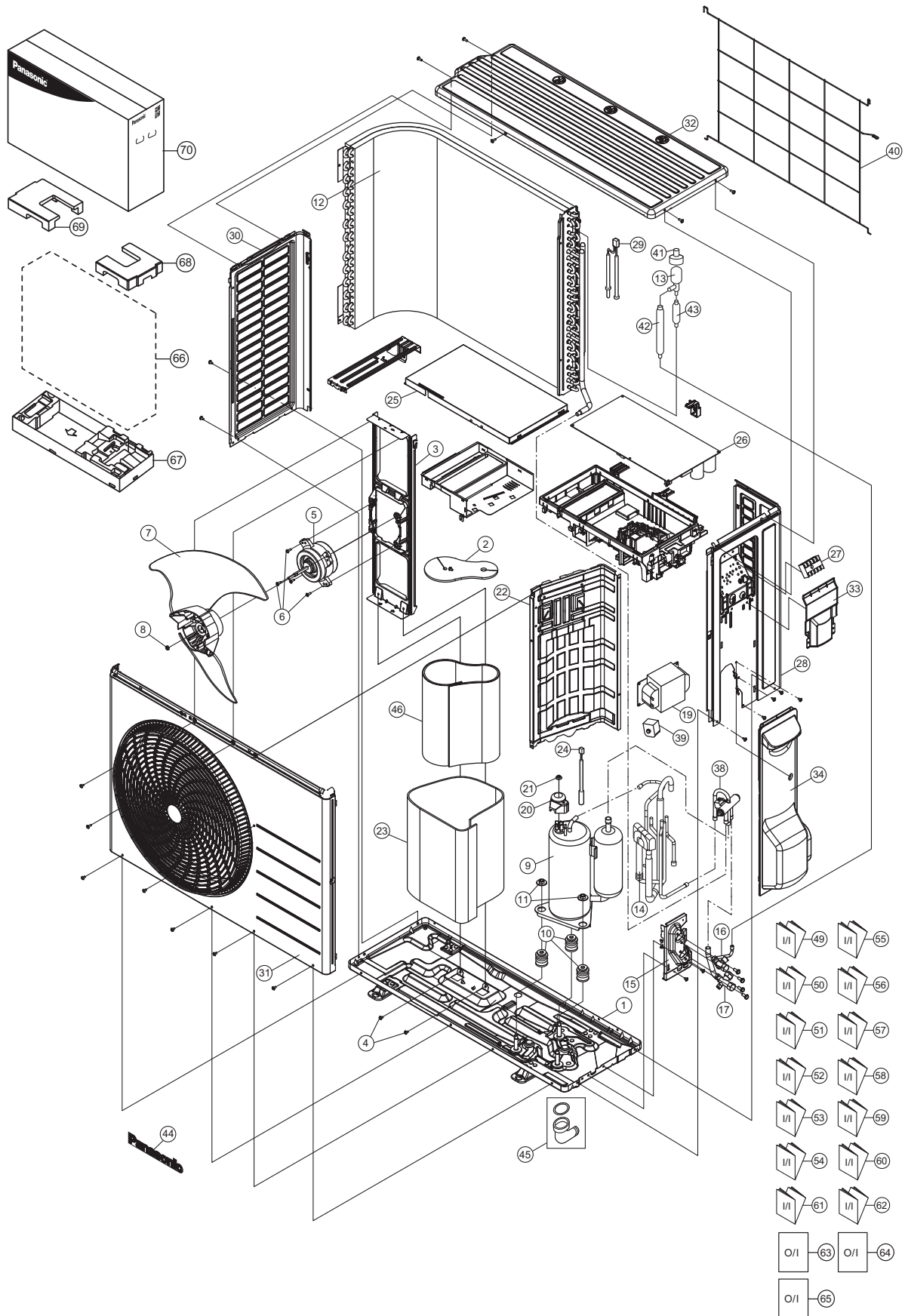
SAFETY	REF. NO.	PART NAME & DESCRIPTION	QTY.	CS-Z42TKEA	CS-Z50TKEA	CS-Z71TKEA	REMARK
	1	CHASSIS COMPLETE	1	ACXD50C01590	←	←	
⚠	2	FAN MOTOR	1	ARW7676ACCB	←	L6CBYYYYL0194	O
	3	CROSS-FLOW FAN COMPLETE	1	CWH02C1136	←	←	
	4	BEARING ASSY	1	CWH64K1010	←	←	
	5	SCREW - CROSS-FLOW FAN	1	CWH551146	←	←	
	6	PARTICULAR PIECE	1	CWD933067B	←	←	
	7	EVAPORATOR	1	ACXB30C02270	←	ACXB30C02870	
	8	FLARE NUT (LIQUID)	1	CWT251048	←	←	
	9	FLARE NUT (GAS)	1	CWT251032	←	CWT251033	
	10	CONTROL BOARD CASING	1	ACXH10-00720	←	←	
	11	PARTICULAR PIECE	1	CWD933138	←	←	
⚠	12	TERMINAL BOARD COMPLETE	1	CWA28C2382	←	←	O
⚠	13	ELECTRONIC CONTROLLER - MAIN	1	ACXA73C40890	ACXA73C40900	ACXA73C40910	O
⚠	14	ELECTRONIC CONTROLLER - SUB	1	ACXA73-22640	←	←	O
⚠	15	ELECTRONIC CONTROLLER - INDICATOR	1	ACXA73-22630	←	←	O
	18	INDICATOR HOLDER	1	ACXD93-01960	←	←	
	19	SENSOR COMPLETE	1	CWA50C3226	←	CWA50C2664	O
	24	DISCHARGE GRILLE COMPLETE	1	ACXE20C00990	←	←	
	25	BACK COVER CHASSIS	1	ACXD93-10180	←	←	
	26	FULCRUM	2	ACXH62-00080	←	←	
	27	VERTICAL VANE	8	ACXE24-00400	←	←	
	28	VERTICAL VANE	3	ACXE24-00630	←	←	
	29	CONNECTING BAR - LEFT	1	ACXE26-00190	←	←	
	30	CONNECTING BAR - RIGHT	1	ACXE26-00200	←	←	
⚠	32	AIR SWING MOTOR - OUTER VANE	1	CWA981304	←	←	O
⚠	33	AIR SWING MOTOR - INNER VANE	1	CWA981299	←	←	O
	34	CAP - DRAIN TRAY	1	CWH521259	←	←	
	35	HORIZONTAL VANE COMPLETE - OUTER	1	ACXE24C01030	←	←	
	36	HORIZONTAL VANE COMPLETE - INNER	1	ACXE24C00540	←	←	
	38	CONTROL BOARD COVER - COMPLETE	1	ACXH13C00150	←	←	
	39	REMOTE CONTROL COMPLETE	1	CWA75C4264	←	←	
	40	FRONT GRILLE COMPLETE	1	ACXE10C06780	←	ACXE10C06790	
	41	INTAKE GRILLE COMPLETE	1	ACXE22K00960	←	←	
	42	GRILLE DOOR COMPLETE	1	ACXE14C00050	←	←	
	43	AIR FILTER	2	ACXD00-00250	←	←	
	44	CAP - FRONT GRILLE	3	ACXH52-00100	←	←	
	45	SCREW - FRONT GRILLE	4	XTT4+16CFJ	←	←	
	46	DRAIN HOSE	1	ACXH85-00210	←	←	
	47	INSTALLATION PLATE	1	CWH361098	←	←	
	48	BAG COMPLETE - INSTALLATION SCREW	1	CWH82C1942	←	←	
	49	REMOTE CONTROL - CABEL	1	CWA221113	←	←	
	50	BAG	1	ACXG86-00130	←	←	
	51	SHOCK ABSORBER	1	ACXG70-00840	←	←	
	52	SHOCK ABSORBER	1	ACXG70-00850	←	←	
	53	C. C. CASE	1	ACXG50-39100	ACXG50-39110	ACXG50-39120	

(NOTE)

- All parts are supplied from PAPAMY, Malaysia (Vendor Code: 00029488).
- "O" marked parts are recommended to be kept in stock.

21.2 Outdoor Unit

21.2.1 CU-Z25TKEA CU-Z35TKEA CU-Z42TKEA



Note
The above exploded view is for the purpose of parts disassembly and replacement.
The non-numbered parts are not kept as standard service parts.

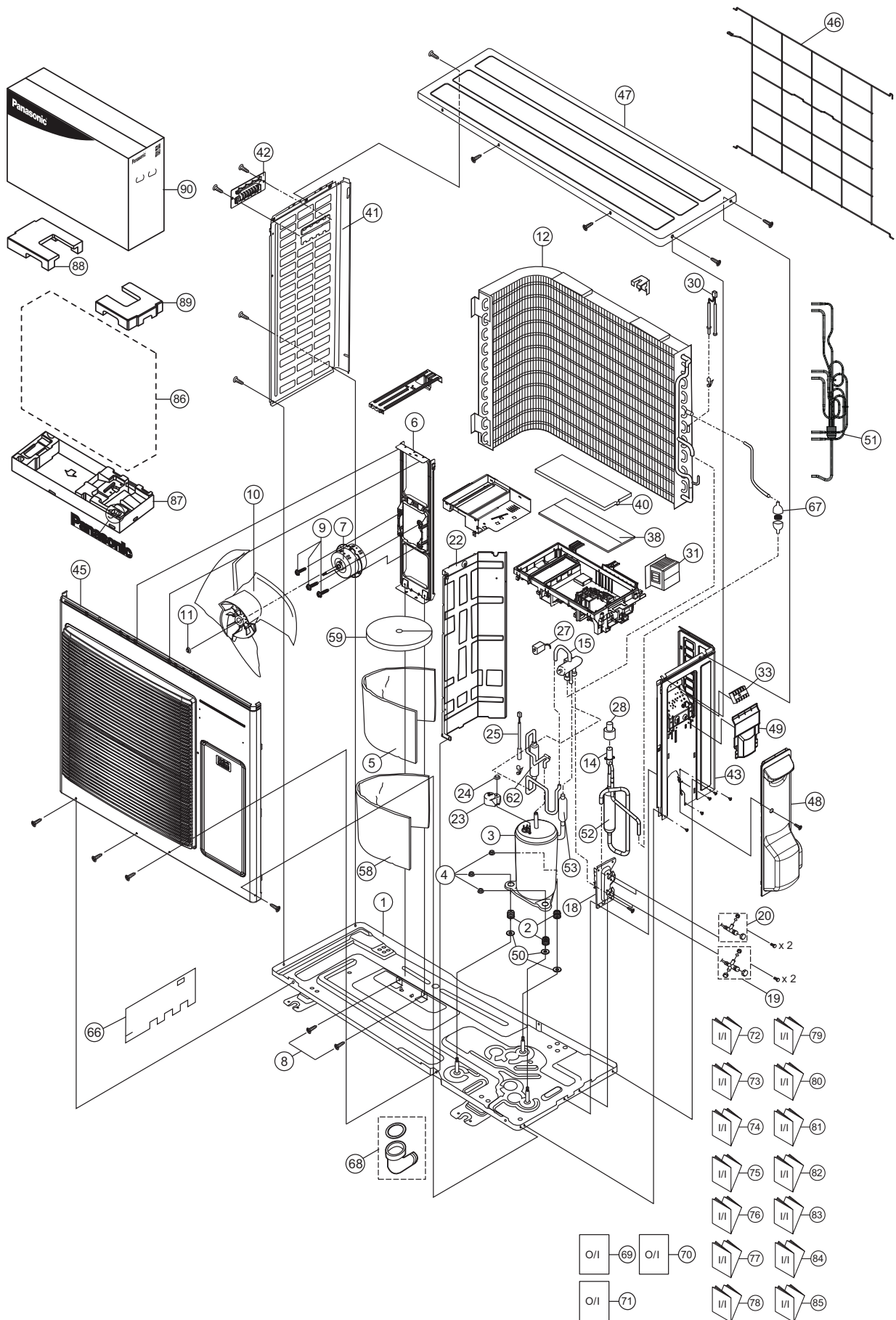
SAFETY	REF. NO.	PART NAME & DESCRIPTION	QTY.	CU-Z25TKEA	CU-Z35TKEA	CU-Z42TKEA	REMARK
	1	CHASSIS COMPLETE	1	CWD52K1277	←	←	
	2	SOUND PROOF MATERIAL - COMP. TOP	1	CWG302630	←	←	
	3	FAN MOTOR BRACKET	1	CWD541167	←	←	
	4	SCREW - FAN MOTOR BRACKET	2	CWH551217	←	←	
⚠	5	FAN MOTOR	1	L6CAYYYL0064	←	←	O
	6	SCREW - FAN MOTOR MOUNT	4	CWH55252J	←	CWH551106J	
	7	PROPELLER FAN ASSY	1	CWH03K1066	←	←	
	8	NUT - PROPELLER FAN	1	CWH56053J	←	←	
⚠	9	COMPRESSOR	1	9RD132XAB21	←	←	O
	10	ANTI - VIBRATION BUSHING	3	CWH50077	←	←	
	11	NUT - COMPRESSOR MOUNT	3	CWH561096	←	←	
	12	CONDENSER	1	ACXB32C01690	CWB32C3547	←	
	13	EXPANSION VALVE	1	CWB051078	←	←	
	14	DISCHARGE MUFFLER (4 W. VALVE)	1	CWB121010	←	←	
	15	HOLDER COUPLING	1	CWH351233	←	←	
	16	2-WAYS VALVE (LIQUID)	1	CWB021590	CWB021589	←	O
	17	3-WAY VALVE (GAS)	1	CWB011374	←	CWB011344	O
⚠	19	REACTOR	1	G0C392J00028	←	G0C392J00023	O
	20	TERMINAL COVER	1	CWH171039A	←	←	
	21	NUT - TERMINAL COVER	1	CWH7080300J	←	←	
	22	SOUND PROOF BOARD	1	CWH151364	CWH151273	←	
	23	SOUND PROOF MATERIAL - COMP. BODY	1	CWG302952	←	←	
	24	SENSOR CO - COMP TEMP	1	CWA50C2894	←	←	O
	25	CONTROL BOARD COVER - TOP	1	CWH131473	←	←	
	26	ELECTRONIC CONTROLLER - MAIN	1	ACXA73C42010R	ACXA73C42020R	ACXA73C42030R	O
⚠	27	TERMINAL BOARD ASSY	1	CWA28K1036J	←	←	O
	28	CABINET SIDE PLATE CO.	1	CWE04C1468	CWE04C1411	←	
	29	SENSOR CO - AIR TEMP AND PIPE TEMP	1	CWA50C3079	←	←	O
	30	CABINET SIDE PLATE	1	CWE041579A	←	←	
	31	CABINET FRONT PLATE CO.	1	ACXE06C02900	←	←	
	32	CABINET TOP PLATE	1	CWE031148A	←	←	
	33	PLATE - C. B. COVER TERMINAL	1	CWH131470	←	←	
	34	CONTROL BOARD COVER CO.	1	CWH13C1253	←	←	
	38	4-WAYS VALVE	1	ACXB00-00130	←	CWB001063	
⚠	39	V-COIL COMPLETE - 4 WAY VALVE	1	ACXA43C00250	←	←	O
	40	WIRE NET	1	CWD041200A	←	←	
⚠	41	V-COIL COMPLETE - EXP. VALVE	1	ACXA43C00640	←	←	O
	42	DISCHARGE MUFFLER	1	CWB121058	←	←	
	43	STRAINER	1	CWB11094	←	←	
	44	PANASONIC BADGE	1	CWE373439	←	←	
	45	BAG - COMPLETE	1	CWG87C900	←	←	
	46	SOUND PROOF MATERIAL	1	CWG302745	←	←	
	49	INSTALLATION INSTRUCTION	1	ACXF60-27950	←	←	
	50	INSTALLATION INSTRUCTION	1	ACXF60-27960	←	←	
	51	INSTALLATION INSTRUCTION	1	ACXF60-27970	←	←	
	52	INSTALLATION INSTRUCTION	1	ACXF60-27980	←	←	
	53	INSTALLATION INSTRUCTION	1	ACXF60-27990	←	←	

SAFETY	REF. NO.	PART NAME & DESCRIPTION	QTY.	CU-Z25TKEA	CU-Z35TKEA	CU-Z42TKEA	REMARK
	54	INSTALLATION INSTRUCTION	1	ACXF60-28000	←	←	
	55	INSTALLATION INSTRUCTION	1	ACXF60-28010	←	←	
	56	INSTALLATION INSTRUCTION	1	ACXF60-28020	←	←	
	57	INSTALLATION INSTRUCTION	1	ACXF60-28030	←	←	
	58	INSTALLATION INSTRUCTION	1	ACXF60-28040	←	←	
	59	INSTALLATION INSTRUCTION	1	ACXF60-28050	←	←	
	60	INSTALLATION INSTRUCTION	1	ACXF60-28060	←	←	
	61	INSTALLATION INSTRUCTION	1	ACXF60-28070	←	←	
	62	INSTALLATION INSTRUCTION	1	ACXF60-28080	←	←	
	63	OPERATING INSTRUCTION	1	ACXF55-18920	←	←	
	64	OPERATING INSTRUCTION	1	ACXF55-18930	←	←	
	65	OPERATING INSTRUCTION	1	ACXF55-19300	←	←	
	66	BAG	1	ACXG86-03760	←	←	
	67	BASE BOARD - COMPLETE	1	CWG62C1162	←	←	
	68	SHOCK ABSORBER	1	CWG713415	←	←	
	69	SHOCK ABSORBER	1	CWG713416	←	←	
	70	C. C. CASE	1	CWG566848	←	←	

(NOTE)

- All parts are supplied from PAPAMY, Malaysia (Vendor Code: 00029488).
- "O" marked parts are recommended to be kept in stock.

21.2.2 CU-Z50TKEA CU-Z71TKEA



Note

The above exploded view is for the purpose of parts disassembly and replacement.
The non-numbered parts are not kept as standard service parts.

SAFETY	REF. NO.	PART NAME & DESCRIPTION	QTY.	CU-Z50TKEA	CU-Z71TKEA	REMARK
	1	CHASSIS COMPLETE	1	ACXD52K00320	ACXD52K00280	
	2	ANTI - VIBRATION BUSHING	3	CWH50077	CWH50055	
⚠	3	COMPRESSOR	1	9RD132XAA21	9KD240XBA21	O
	4	NUT - COMPRESSOR MOUNT	3	CWH561096	CWH561049	
	5	SOUND PROOF MATERIAL - COMP. BODY	1	CWG302950	CWG302997	
	6	FAN MOTOR BRACKET	1	ACXD54-00140	←	
⚠	7	FAN MOTOR	1	L6CAYYYL0076	←	O
	8	SCREW - FAN MOTOR BRACKET	2	CWH551217	←	
	9	SCREW - FAN MOTOR MOUNT	4	CWH551106J	←	
	10	PROPELLER FAN ASSY	1	ACXH03K00070	←	
	11	NUT - PROPELLER FAN	1	CWH56053J	←	
	12	CONDENSER	1	ACXB32C08610	←	
	14	EXPANSION VALVE	1	CWB051078	CWB051079	
	15	4-WAYS VALVE	1	ACXB00-00140	←	
	18	HOLDER COUPLING	1	ACXH35-00080	←	
	19	3-WAY VALVE (GAS)	1	ACXB01-03760	CWB011363	O
	20	2-WAYS VALVE (LIQUID)	1	ACXB02-02560	ACXB02-02570	O
	22	SOUND PROOF BOARD	1	ACXH15-00200	ACXH15-00230	
	23	TERMINAL COVER	1	CWH171039A	←	
	24	NUT - TERMINAL COVER	1	CWH7080300J	←	
	25	SENSOR CO - COMP TEMP	1	CWA50C2185	←	O
⚠	27	V-COIL COMPLETE - 4 WAY VALVE	1	ACXA43C00250	←	O
⚠	28	V-COIL COMPLETE - EXP. VALVE	1	ACXA43C00640	←	O
	30	SENSOR CO - AIR TEMP AND PIPE TEMP	1	CWA50C3079	←	
⚠	31	REACTOR	1	G0C392J00027	G0C392J00029	O
⚠	33	TERMINAL BOARD ASSY	1	CWA28K1036J	←	O
⚠	38	ELECTRONIC CONTROLLER - MAIN	1	ACXA73C40920R	ACXA73C40930R	O
	40	CONTROL BOARD COVER - TOP	1	ACXH13-00490	←	
	41	CABINET SIDE PLATE - LEFT	1	ACXE04-00580	←	
	42	HANDLE	1	CWE161010	←	
	43	CABINET SIDE PLATE CO.	1	ACXE04C00720	ACXE04C00700	
	45	CABINET FRONT PLATE CO.	1	ACXE06K00080	←	
	46	WIRE NET	1	ACXD04-00130A	←	
	47	CABINET TOP PLATE	1	ACXE03-00200	←	
	48	CONTROL BOARD COVER CO.	1	ACXH13C00170	←	
	49	PLATE - C. B. COVER TERMINAL	1	CWH131470	←	
	50	PACKING		-	CWB81043	
	51	TUBE ASSY (CAPILLARY TUBE)	1	-	ACXT00C05240	
	52	RECEIVER	1	CWB14011	CWB14030	
	53	ACCUMULATOR	1	-	ACXB13-00010	
	54	PANASONIC BADGE	1	CWE373439	←	
	58	SOUND PROOF MATERIAL	1	CWG302636	←	
	59	SOUND PROOF MATERIAL - COMP. TOP	1	CWG302630	CWG302246	
	62	DISCHARGE MUFFLER	1	-	CWB121013	
	66	SOUND PROOF MATERIAL	1	CWG302632	-	
	67	STRAINER	1	CWB11094	CWB111032	
	68	BAG - COMPLETE	1	CWG87C900	←	
	69	OPERATING INSTRUCTION	1	ACXF55-18920	←	
	70	OPERATING INSTRUCTION	1	ACXF55-18930	←	

SAFETY	REF. NO.	PART NAME & DESCRIPTION	QTY.	CU-Z50TKEA	CU-Z71TKEA	REMARK
	71	OPERATING INSTRUCTION	1	ACXF55-19300	←	
	72	INSTALLATION INSTRUCTION	1	ACXF60-27950	←	
	73	INSTALLATION INSTRUCTION	1	ACXF60-27960	←	
	74	INSTALLATION INSTRUCTION	1	ACXF60-27970	←	
	75	INSTALLATION INSTRUCTION	1	ACXF60-27980	←	
	76	INSTALLATION INSTRUCTION	1	ACXF60-27990	←	
	77	INSTALLATION INSTRUCTION	1	ACXF60-28000	←	
	78	INSTALLATION INSTRUCTION	1	ACXF60-28010	←	
	79	INSTALLATION INSTRUCTION	1	ACXF60-28020	←	
	80	INSTALLATION INSTRUCTION	1	ACXF60-28030	←	
	81	INSTALLATION INSTRUCTION	1	ACXF60-28040	←	
	82	INSTALLATION INSTRUCTION	1	ACXF60-28050	←	
	83	INSTALLATION INSTRUCTION	1	ACXF60-28060	←	
	84	INSTALLATION INSTRUCTION	1	ACXF60-28070	←	
	85	INSTALLATION INSTRUCTION	1	ACXF60-28080	←	
	86	BAG	1	CWG861461	←	
	87	BASE BOARD - COMPLETE	1	CWG62C1197	←	
	88	SHOCK ABSORBER	1	CWG713217	←	
	89	SHOCK ABSORBER	1	CWG713218	←	
	90	C. C. CASE	1	CWG568360	←	

(NOTE)

- All parts are supplied from PAPAMY, Malaysia (Vendor Code: 00029488).
- "O" marked parts are recommended to be kept in stock.