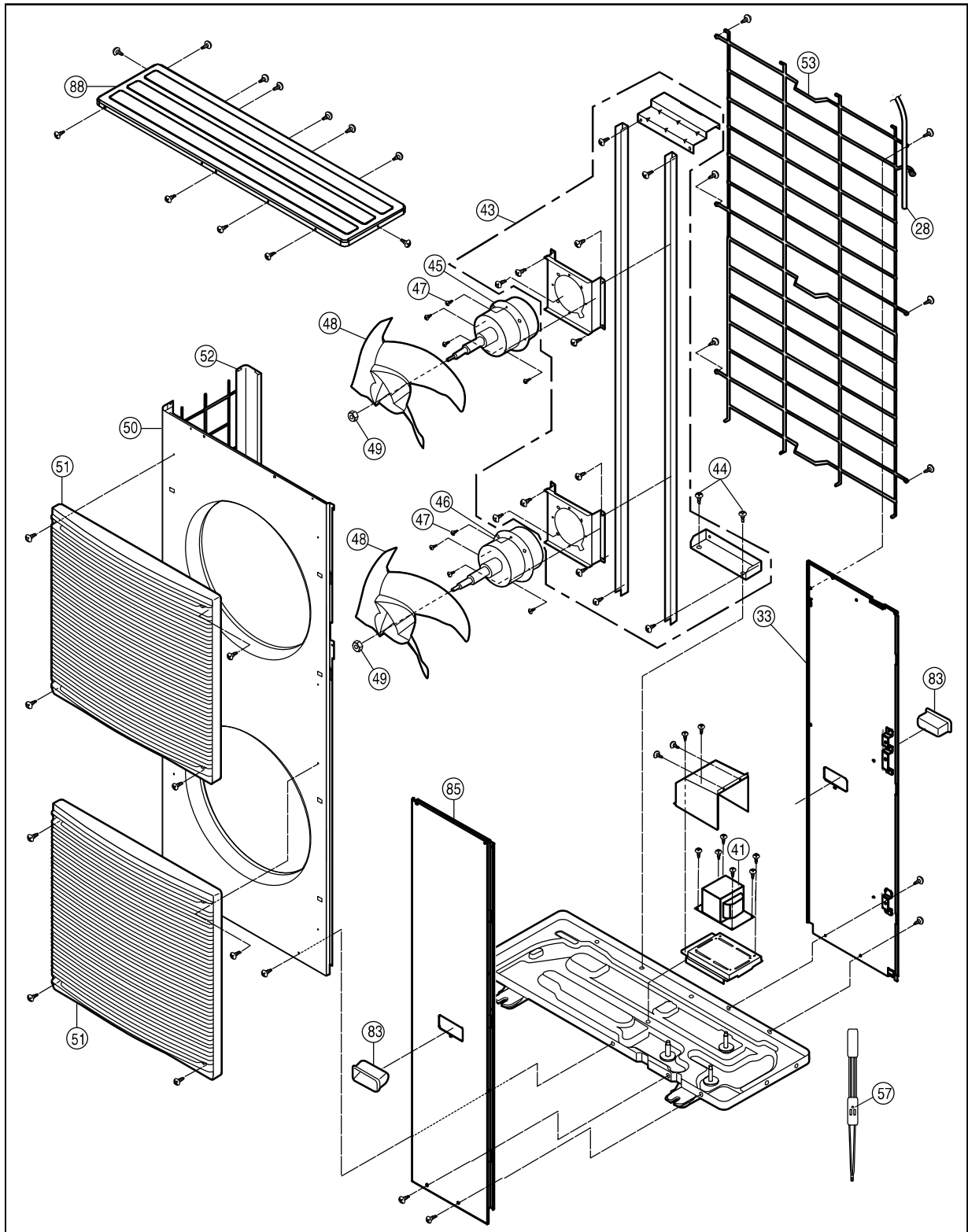
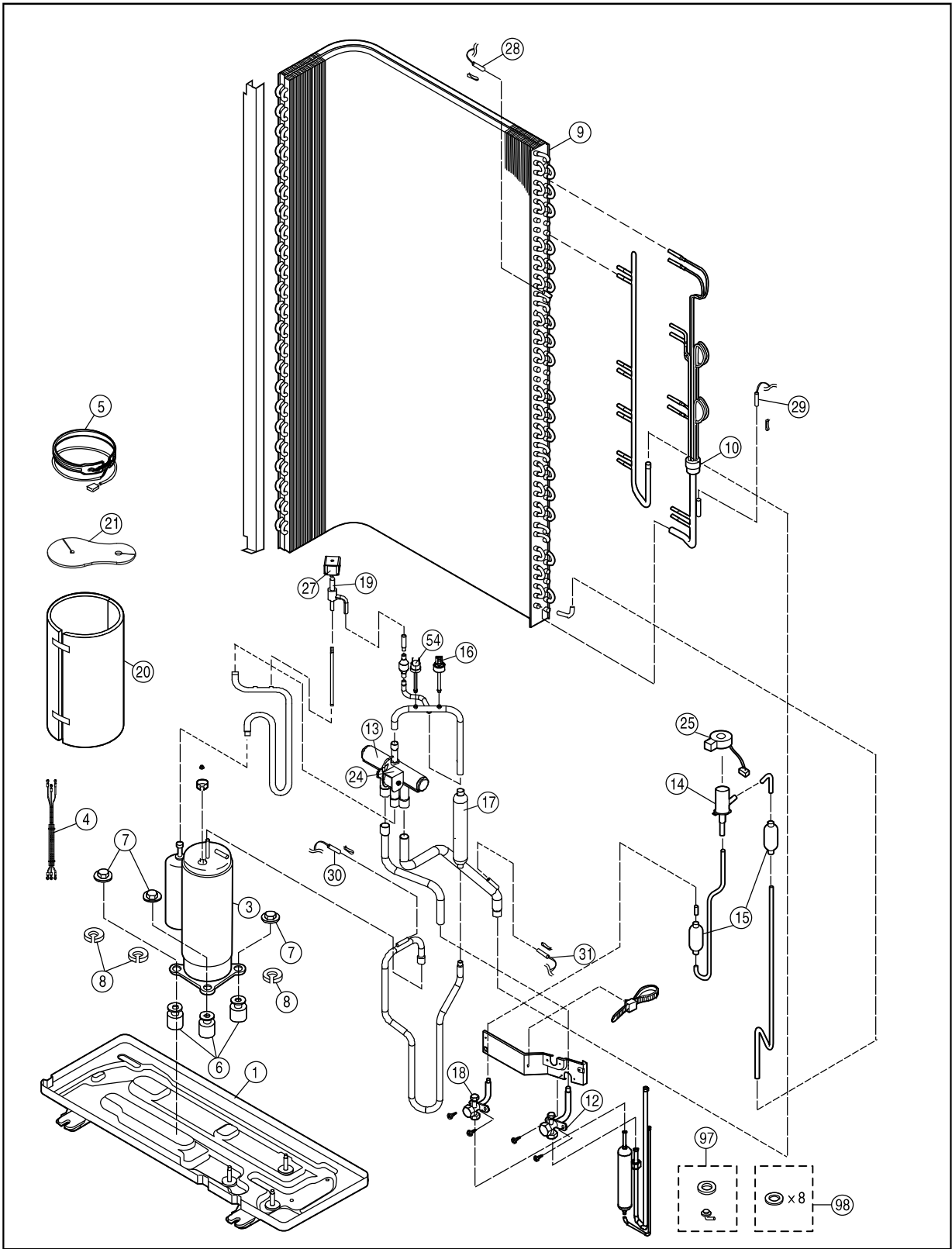




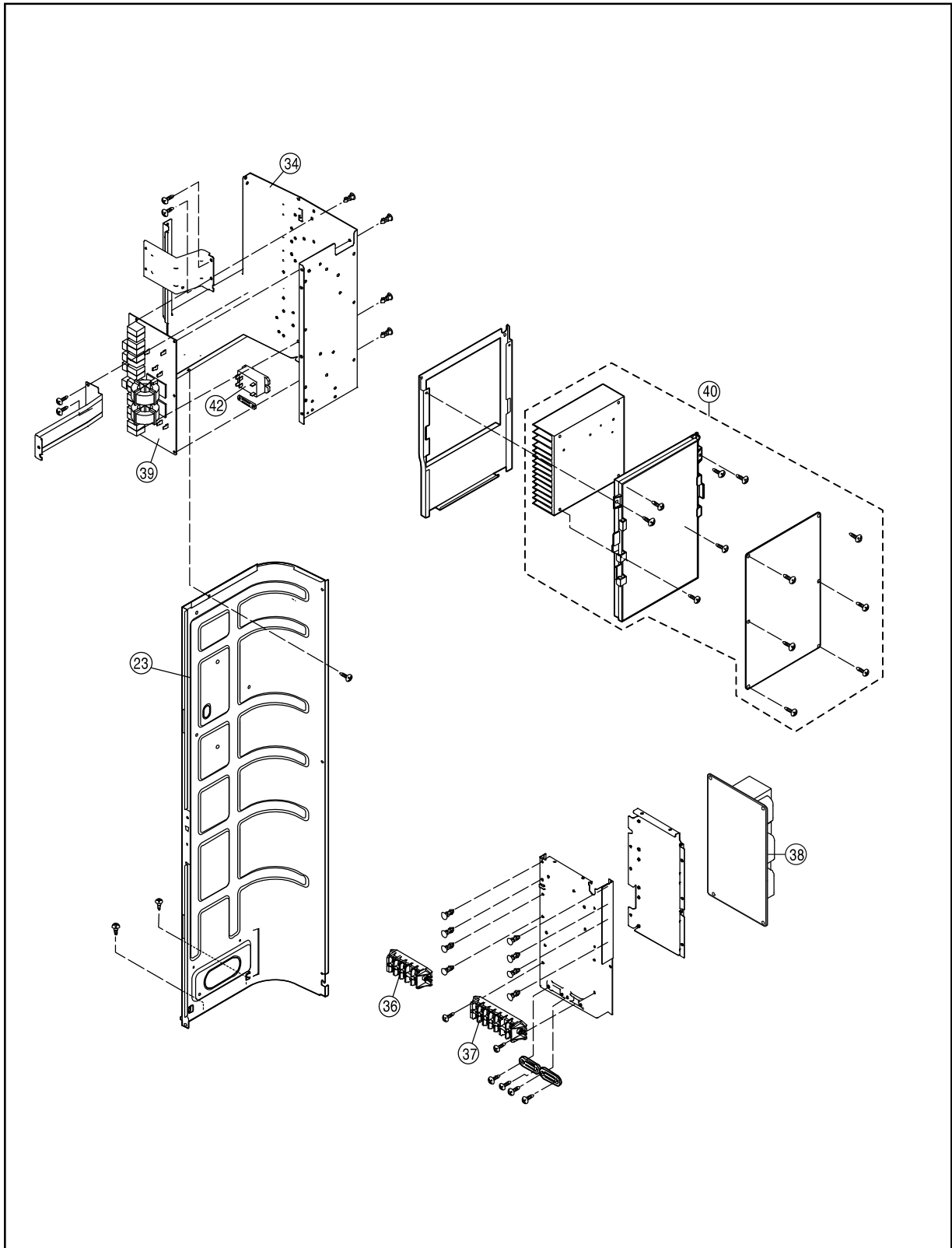
## 19.2 Refrigerant System



Note:  
The above exploded view is for the purpose of parts disassembly and replacement.  
The non-numbered parts are not kept as standard service parts.



Note:  
 The above exploded view is for the purpose of parts disassembly and replacement.  
 The non-numbered parts are not kept as standard service parts.



Note:  
The above exploded view is for the purpose of parts disassembly and replacement.  
The non-numbered parts are not kept as standard service parts.

<Model: WH-MDC12H6E5>

SAFETY	REF. NO.	DESCRIPTION & NAME	QTY.	WH-MDC12H6E5	REMARK
	1	BASE PAN ASS'Y	1	CWD52K1276	
	2	BASE PAN ASS'Y	1	ACXD52K02760	
	3	COMPRESSOR	1	5JD420XCA22	O
	4	LEADWIRE COMPRESSOR	1	ACXA60C62280	
	5	CRANKCASE HEATER	1	CWA341053	
	6	BUSHING - COMPRESSOR MOUNT	3	CWH50055	
	7	NUT-COMPRESSOR MOUNT	3	CWH561049	
	8	GASKET FOR TERMINAL COVER	3	CWB811017	
	9	CONDENSER COMPLETE	1	CWB32C3891	
	10	TUBE ASSY (CAP.TUBE)	1	CWT07K1606	
	12	3-WAYS VALVE (GAS)	1	CWB011699	O
	13	4-WAYS VALVE	1	CWB001046	O
	14	EXPANSION VALVE	1	CWB051049	O
	15	STRAINER	2	CWB111032	
	16	HIGH PRESSURE SENSOR	1	CWA501463	O
	17	DISCHARGE MUFFLER	1	CWB121014	
	18	3-WAYS VALVE(LIQUID)	1	CWB011700	O
	19	2-WAYS VALVE(LIQUID)	1	CWB021637	O
	20	SOUND PROOF MATERIAL	1	CWG302795	
	21	SOUND PROOF MATERIAL	1	CWG302266	
	22	SOUND PROOF MATERIAL HEATER	1	ACXG30-07660	
	23	SOUND PROOF BOARD	1	CWH151085	
	24	V-COIL COMPLETE(4 WAY VALVE)	1	CWA43C2169J	O
	25	V-COIL COMPLETE(MAIN EXPANSION VALVE)	1	CWA43C2602	O
	27	V-COIL COMPLETE(2-WAY VALVE)	1	CWA43C2607	O
	28	SENSOR-COMP.(OUTDOOR AIR,PIPE TEMP)	1	CWA50C2730	O
	29	SENSOR-COMP.(DEFROST TEMP)	1	CWA50C2577	O
	30	SENSOR-COMP.(DISCHARGE TEMP)	1	CWA50C2576	O
	31	SENSOR-COMP.(EVA EXIT)	1	CWA50C3204	O
	32	HOLDER COUPLING	1	ACXH35-01510A	
	33	CABINET REAR PLATE-COMPLETE	1	ACXE02-02020A	
	34	CONTROL BOARD CASING	1	CWH10K1049	
	35	SOUND PROOF MATERIAL	1	CWG302598	
	36	TERMINAL BOARD ASS'Y(U,V,W,A)	1	CWA28K1335	O
	37	TERMINAL BOARD ASS'Y(1,2,3)	1	CWA28K1213	O
	38	ELECTRONIC CO.(CAPACITOR)	1	CWA746169	O
	39	ELECTRONIC CO.(NOISE FILTER)	1	CWA747856	O
	40	REF SYS ELECTRONIC CONTROLLER (MAIN)	1	ACXA73C31820R	
	41	REF SYS REACTOR	1	G0C592J00005	O
	42	ELECTRO MAGNETIC SWITCH	1	K6C1AYY00003	O
	43	FAN MOTOR BRACKET	1	CWD54K1084	
	44	SCREW-FAN MOTOR BRACKET	2	CWH551040J	
	45	FAN MOTOR(UPPER)	1	EHDS83LAC	O
	46	FAN MOTOR(LOWER)	1	EHDS83MAC	O
	47	SCREW-FAN MOTOR MOUNT	8	CWH551323	
	48	PROPELLER FAN ASSY	2	CWH00K1006	
	49	NUT	2	CWH561092	

SAFETY	REF. NO.	DESCRIPTION & NAME	QTY.	WH-MDC12H6E5	REMARK
	50	CABINET FRONT PLATE	1	CWE061098A	
	51	DISCHARGE GRILLE	2	CWE201073	O
	52	CABINET SIDE PLATE ASSY	1	CWE04K1023A	
	53	WIRE NET	1	CWD041069	
	54	HIGH PRESSURE SWITCH	1	CWA101013	O
	55	ACCESSORY CO.(RUBBER CAP)	1	CWH82C1839	
	56	ACCESSORY CO.(DRAIN ELBOW)	1	CWG87C900	
⚠	57	HEATER (RECEIVER)	1	CWA341071	O
	58	SOUND PROOF MATERIAL	1	CWG302594	
	59	HOT WATER COIL-COMplete	1	ACXB90C00620	O
	60	FILTER COMPLETE	1	CWB51C1021	
⚠	62	HEATER ASS'Y	1	ACXA34K00370	O
⚠	63	THERMOSTAT	2	CWA151074	O
	64	AIR PURGE VALVE	1	ACXB62-00130	O
	65	FLOW SWITCH	1	CWB621137	
⚠	66	PUMP	1	CWB532116	
	67	PRESSURE GAUGE	1	CWB070003	
	68	PRESSURE RELIEF VALVE	1	ACXB62-00100	
	69	CABINET SIDE PLATE ASS'Y	1	ACXE04-09480A	
⚠	70	WATER SYS ELECTRONIC CONTROLLER (MAIN)	1	ACXA73C31840R	O
	72	TERMINAL BOARD ASS'Y	1	CWA28K1238	O
⚠	73	WATER SYS REACTOR	1	G0C103Z00003	O
⚠	74	CIRCUIT BREAKER	2	CWA181005	
⚠	75	TERMINAL BOARD ASS'Y(A,B)	1	CWA28K1340	O
⚠	76	TERMINAL BOARD ASS'Y(1,2,3,4,5,6)	1	CWA28K1341	O
⚠	77	TERMINAL BOARD ASS'Y(7,8,9,10,11,12)	1	CWA28K1340	O
⚠	78	TERMINAL BOARD ASS'Y(13,14,15,16,17,18)	1	CWA28K1343	O
	79	SENSOR-COMplete(WATER IN,OUT, REF TEMP)	1	ACXA50C13330	O
	80	SENSOR-COMplete(HEX WATER OUTLET)	1	ACXA50C13140	O
	81	REMOTE CONTROL COMPLETE	1	CWA75C4681	O
	82	RECEIVER	1	CWB141069	
	83	HANDLE	4	CWE161014	
	84	SOUND PROOF MATERIAL	1	CWG302599	
	85	CABINET FRONT PLATE	1	CWE061274A	
	86	CABINET FRONT PLATE	1	ACXE06-03550A	
	88	CABINET TOP PLATE	1	CWE03C1105	
	89	OPERATING INSTRUCTION	1	ACXF55-14590	
	90	OPERATING INSTRUCTION	1	ACXF55-14600	
	91	OPERATING INSTRUCTION	1	ACXF55-14610	
	92	OPERATING INSTRUCTION	1	ACXF55-14620	
	93	OPERATING INSTRUCTION	1	ACXF55-14630	
	94	OPERATING INSTRUCTION	1	ACXF55-14640	
	95	INSTALLATION INSTRUCTION	1	ACXF60-23690	
	96	INSTALLATION INSTRUCTION	1	ACXF60-17020	
	97	FLEXIBLE PIPE (L-TUBE)	1	CWH5850080	
	98	PACKING-L.TUBE	1	CWB81012	

SAFETY	REF. NO.	DESCRIPTION & NAME	QTY.	WH-MDC12H6E5	REMARK
	99	PANASONIC BADGE	1	CWE373439	
	100	INVERTER BADGE	1	CWE373441	

**Note:**

- All parts are supplied from PAPAMY, Malaysia (Vendor Code: 00029488).
- "O" marked parts are recommended to be kept in stock.

<Model: WH-MDC16H6E5>

SAFETY	REF. NO.	DESCRIPTION & NAME	QTY.	WH-MDC16H6E5	REMARK
	1	BASE PAN ASS'Y	1	CWD52K1276	
	2	BASE PAN ASS'Y	1	ACXD52K02760	
	3	COMPRESSOR	1	5JD420XCA22	O
	4	LEADWIRE COMPRESSOR	1	ACXA60C62280	
	5	CRANKCASE HEATER	1	CWA341053	
	6	BUSHING - COMPRESSOR MOUNT	3	CWH50055	
	7	NUT-COMPRESSOR MOUNT	3	CWH561049	
	8	GASKET FOR TERMINAL COVER	3	CWB811017	
	9	CONDENSER COMPLETE	1	CWB32C3891	
	10	TUBE ASSY (CAP.TUBE)	1	CWT07K1606	
	12	3-WAYS VALVE (GAS)	1	CWB011699	O
	13	4-WAYS VALVE	1	CWB001046	O
	14	EXPANSION VALVE	1	CWB051049	O
	15	STRAINER	2	CWB111032	
	16	HIGH PRESSURE SENSOR	1	CWA501463	O
	17	DISCHARGE MUFFLER	1	CWB121014	
	18	3-WAYS VALVE(LIQUID)	1	CWB011700	O
	19	2-WAYS VALVE(LIQUID)	1	CWB021637	O
	20	SOUND PROOF MATERIAL	1	CWG302795	
	21	SOUND PROOF MATERIAL	1	CWG302266	
	22	SOUND PROOF MATERIAL HEATER	1	ACXG30-07660	
	23	SOUND PROOF BOARD	1	CWH151085	
	24	V-COIL COMPLETE(4 WAY VALVE)	1	CWA43C2169J	O
	25	V-COIL COMPLETE(MAIN EXPANSION VALVE)	1	CWA43C2602	O
	27	V-COIL COMPLETE(2-WAY VALVE)	1	CWA43C2607	O
	28	SENSOR-COMP.(OUTDOOR AIR,PIPE TEMP)	1	CWA50C2730	O
	29	SENSOR-COMP.(DEFROST TEMP)	1	CWA50C2577	O
	30	SENSOR-COMP.(DISCHARGE TEMP)	1	CWA50C2576	O
	31	SENSOR-COMP.(EVA EXIT)	1	CWA50C3204	O
	32	HOLDER COUPLING	1	ACXH35-01510A	
	33	CABINET REAR PLATE-COMPLETE	1	ACXE02-02020A	
	34	CONTROL BOARD CASING	1	CWH10K1049	
	35	SOUND PROOF MATERIAL	1	CWG302598	
	36	TERMINAL BOARD ASS'Y(U,V,W,A)	1	CWA28K1335	O
	37	TERMINAL BOARD ASS'Y(1,2,3)	1	CWA28K1213	O
	38	ELECTRONIC CO.(CAPACITOR)	1	CWA746169	O
	39	ELECTRONIC CO.(NOISE FILTER)	1	CWA747856	O
	40	REF SYS ELECTRONIC CONTROLLER (MAIN)	1	ACXA73C31830R	
	41	REF SYS REACTOR	1	G0C592J00005	O
	42	ELECTRO MAGNETIC SWITCH	1	K6C1AYY00003	O
	43	FAN MOTOR BRACKET	1	CWD54K1084	
	44	SCREW-FAN MOTOR BRACKET	2	CWH551040J	
	45	FAN MOTOR(UPPER)	1	EHDS83LAC	O
	46	FAN MOTOR(LOWER)	1	EHDS83MAC	O
	47	SCREW-FAN MOTOR MOUNT	8	CWH551323	
	48	PROPELLER FAN ASSY	2	CWH00K1006	
	49	NUT	2	CWH561092	



SAFETY	REF. NO.	DESCRIPTION & NAME	QTY.	WH-MDC16H6E5	REMARK
	50	CABINET FRONT PLATE	1	CWE061098A	
	51	DISCHARGE GRILLE	2	CWE201073	O
	52	CABINET SIDE PLATE ASSY	1	CWE04K1023A	
	53	WIRE NET	1	CWD041069	
	54	HIGH PRESSURE SWITCH	1	CWA101013	O
	55	ACCESSORY CO.(RUBBER CAP)	1	CWH82C1839	
	56	ACCESSORY CO.(DRAIN ELBOW)	1	CWG87C900	
⚠	57	HEATER (RECEIVER)	1	CWA341071	O
	58	SOUND PROOF MATERIAL	1	CWG302594	
	59	HOT WATER COIL-COMplete	1	ACXB90C00620	O
	60	FILTER COMPLETE	1	CWB51C1021	
⚠	62	HEATER ASS'Y	1	ACXA34K00370	O
⚠	63	THERMOSTAT	3	CWA151074	O
	64	AIR PURGE VALVE	1	ACXB62-00130	O
	65	FLOW SWITCH	1	CWB621137	
⚠	66	PUMP	1	CWB532116	
	67	PRESSURE GAUGE	1	CWB070003	
	68	PRESSURE RELIEF VALVE	1	ACXB62-00100	
	69	CABINET SIDE PLATE ASS'Y	1	ACXE04-09480A	
⚠	70	WATER SYS ELECTRONIC CONTROLLER (MAIN)	1	ACXA73C31850R	O
	72	TERMINAL BOARD ASS'Y	1	CWA28K1238	O
⚠	73	WATER SYS REACTOR	1	G0C103Z00003	O
⚠	74	CIRCUIT BREAKER	2	CWA181005	
⚠	75	TERMINAL BOARD ASS'Y(A,B)	1	CWA28K1340	O
⚠	76	TERMINAL BOARD ASS'Y(1,2,3,4,5,6)	1	CWA28K1341	O
⚠	77	TERMINAL BOARD ASS'Y(7,8,9,10,11,12)	1	CWA28K1340	O
⚠	78	TERMINAL BOARD ASS'Y(13,14,15,16,17,18)	1	CWA28K1343	O
	79	SENSOR-COMplete(WATER IN,OUT, REF TEMP)	1	ACXA50C13330	O
	80	SENSOR-COMplete(HEX WATER OUTLET)	1	ACXA50C13140	O
	81	REMOTE CONTROL COMPLETE	1	CWA75C4681	O
	82	RECEIVER	1	CWB141069	
	83	HANDLE	4	CWE161014	
	84	SOUND PROOF MATERIAL	1	CWG302599	
	85	CABINET FRONT PLATE	1	CWE061274A	
	86	CABINET FRONT PLATE	1	ACXE06-03550A	
	88	CABINET TOP PLATE	1	CWE03C1105	
	89	OPERATING INSTRUCTION	1	ACXF55-14590	
	90	OPERATING INSTRUCTION	1	ACXF55-14600	
	91	OPERATING INSTRUCTION	1	ACXF55-14610	
	92	OPERATING INSTRUCTION	1	ACXF55-14620	
	93	OPERATING INSTRUCTION	1	ACXF55-14630	
	94	OPERATING INSTRUCTION	1	ACXF55-14640	
	95	INSTALLATION INSTRUCTION	1	ACXF60-23690	
	96	INSTALLATION INSTRUCTION	1	ACXF60-17020	
	97	FLEXIBLE PIPE (L-TUBE)	1	CWH5850080	
	98	PACKING-L.TUBE	1	CWB81012	

SAFETY	REF. NO.	DESCRIPTION & NAME	QTY.	WH-MDC16H6E5	REMARK
	99	PANASONIC BADGE	1	CWE373439	
	100	INVERTER BADGE	1	CWE373441	

**Note:**

- All parts are supplied from PAPAMY, Malaysia (Vendor Code: 00029488).
- "O" marked parts are recommended to be kept in stock.